



МАРТ

Е-МАРТ
ВАШ ПОСТАВЩИК
ФААС

<https://emart.su/brands/faac/>

Федеральный	8 800 511-77-41
Санкт-петербург	8 812 426-99-66
Москва	8 495 137-99-67
Краснодар	8 861 205-62-66

www.emart.su

mail@emart.su



FAAC®

560

INSTRUCTION MANUAL FOR AUTOMATION

VSS LIMITED

Sales@vssystem.co.uk

0800 018 2324

Automation mod. 560

The FAAC model 560 operator (fig. 1) automates folding doors with two leaves using one operator (figs. 2/4/6), or with four leaves (two per door) using two operators (fig. 3), in the simplest and most logical way possible.

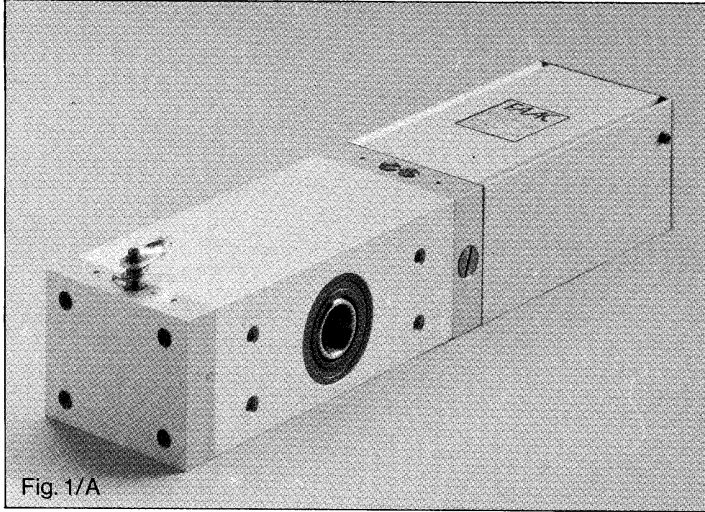


Fig. 1/A

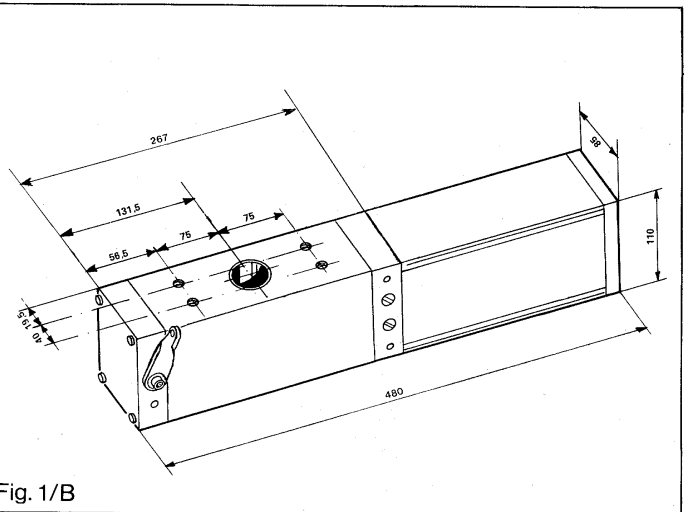


Fig. 1/B

General features

The 560 operator is essentially a self-contained hydraulic unit composed of an electric motor, a hydraulic pump and jack, all housed in a modern and elegant anodised aluminium case that also serves as an oil tank.

It can be installed on new or existing doors without any structural modifications.

The operator is also suitable for outside installations, provided it is protected with a splash shield.

The door movement is achieved simply by rotating a telescopic arm providing a silent harmonious movement. No chain or rack type mechanism is used.

The FAAC 560 automation is composed of the hydraulic power unit, the electronic control unit (401 MP), and the installation accessories.

Fig. 1B shows the overall dimensions of the operator.

Technical details

Single phase electric motor with two directions of rotation protected by a thermal cut-out.

Fixed capacity hydraulic pump.

Power supply voltage: 220 Volts \pm 10%, 50-60 Hz

Absorbed power: 220 Watts

Current drawn: 1.5 Amps

Motor rotating speed: 1,400 R.P.M.

Pump capacity in litres/min.: 1.00-1.50

Rated torque at 30 Bars: 23 Nm

Max. rotation available: 200

Ambient temperature: -25° + 70° C

Thermal cut-out intervention: 100° C

Weight including oil: 10 Kg.

Oil capacity: 1.2 litres

Type of oil: FAAC DYNAMIC OIL XD 220

Level of protection: I.P. 55

TYPE OPERAT.	PUMP CAPAC. l/min.	ANG. SPEED °/sec.	MAX. PRES. Bars	MAX. TORQ. Nm	HYDR. LOCK	MAX. LEAF WIDTH m	REMARKS
560 CBAC	1.0	12.4	40	32	YES	1.50	
560 SB	1.0	12.4	40	32	NO	2.00	without el. lock
560 CBACR	1.5	18.6	30	23	YES	0.5	with el. lock without el. lock

The high speed version (CBACR) should be used with doors where each individual leaf is less than 1 m long.

The hydraulic lock is a special hydraulic device which guarantees secure locking of the door when closed without the need of an electric lock (max leaf width 1.5 m).

All models are however equipped with a disengagement device which facilitates (on the SB type) or permits (on the CB-CBACR type) manual opening and closing of the door.

TECHNICAL AND INSTALLATION SPECIFICATIONS OF FAAC 560 OPERATOR ON FOLDING DOORS

The door (fig. 3)

- The door can be of the two or four leave type (two leaves per side).
- The leaves can be constructed from any material providing they are solid.
- The hinges (3.1, 3.2) should have no friction or excessive clearance; this latter being a fundamental requirement for optimum operation of the installation.

Upper guide and sliding support roller (fig. 4)

- The door should have an upper (or lower) guide (4.1) and a roller (4.2) suitable for both the dimensions and weight of the leaves, which not only guide but also provide support, thus reducing the load on the hinges (3.1, 3.2).
- When closed, the leaves should stop against an upper catch (4.4) of the same width as the door.

Operator installation procedure (fig. 2)

- The operator should be installed on the door leaf (3.3) which is hinged directly on the doorpost or wall.
- Position the door as in fig. 2d; (with the door open) distance A between the rotation axis of the operator shaft and the hinge axis (3.2) should be of 12 cm about (MIN 6, MAX 16).
- An essential requirement when determining operator position is that the by-pass valves (4.12) should be always visible. The operator must be turned over for left or right hand mounting, with the valves always facing forwards.
- Weld the brackets (4.10) to the upper edge of the door in exactly the right position to obtain the distance A previously determined.
- Fix the operator to the bracket using the screws (4.9).
- Disengage the operator using the lever 4.13 (moving it anti-clockwise), insert the square cross-section bar (4.6) into the centre of rotation (4.11); the arm (4.5) should already be fixed to the former.
- Using the appropriate spanner, rotate the arm 4.6 in the direction to open the door, then turn it back through 5°.
- Determine the half leaf position 3.4, mount the angle bracket 4.7 there, together with the telescopic arm fixing pin (using the spring clip).
- Shorten the telescopic arm (both elements, sheath 4.5 and inner element, by the same amount) to facilitate its installation on the pin 4.7 (leave approximately 5 cm between sheath and end of telescopic unit as shown in fig. 2d).
- Check that the door opens and closes completely, and that both elements of the telescopic unit remain engaged over a sufficient width (at least 20 cm) when in the most unfavourable position (closed).
- Grease the telescopic unit and front pin.
- **Remove the breather screw (4.3) from the top part of the operator.** Return the lever (4.13) to the hydraulic lock position (turning it anti-clockwise). Install the electric cable for the operator and proceed with the connections (see the 401 MP instruction leaflet).

Adjustment of the by-pass valves (4.12)

One screw adjust the force with which the door closes, and the other that with which it opens; turning them clockwise increases the force, and anti-clockwise decreases it. These extremely sensitive valves only affect the pressure of the operator (force), they don't adjust its speed nor affect the hydraulic lock.

Holding back the door with one's hands, check the power supplied by the operator and proceed with the adjustment in this way (according to regulations in force, max. leaf closing force = 15 Kg.) until a safe but not irregular movement has been obtained.

The disengagement system has a spring return mechanism, such that one need simply releasing the cable to automatically lock the operator. A key lock is available to control the disengagement system from outside (inset fig. 4).

Operators without an hydraulic lock are also equipped with a manual disengagement facility to make leaf movement easier during power cuts.

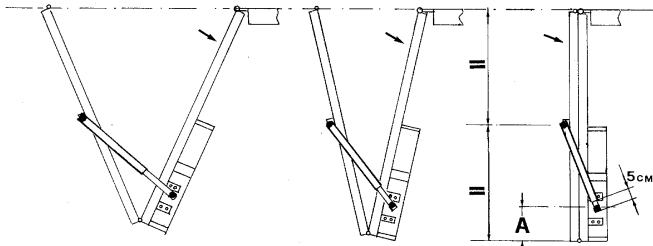
Whenever there is insufficient space for the operator behind the door in the open position, proceed as in fig. 5 with an installation exactly symmetrical to that described above; in such cases the operator should be mounted to the outermost leaf (leaf 3.4 in fig. 3) and the angle bracket of the pin 4.7 in the leaf which is directly hinged to the wall or door post (leaf 3.3 fig. 3). Otherwise proceed as above.

Fig. 4 shows how to connect the outside disengagement key system (optional) to the disengagement lever 4.13 by cable.

The inside disengagement facility is set up by connecting the cable supplied as standard to the disengagement lever 4.13 on the operator.



2 a



2 b

2 c

2 d

Fig. 2

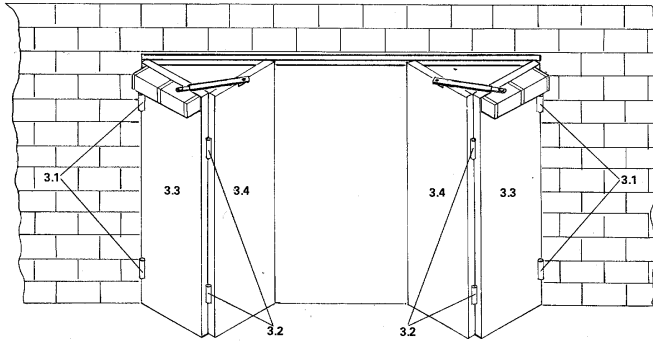


Fig. 3

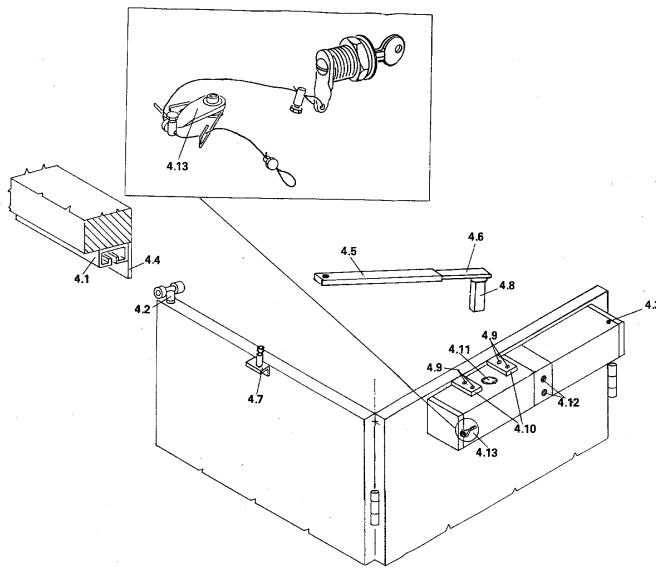
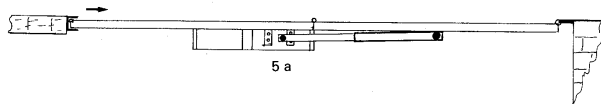
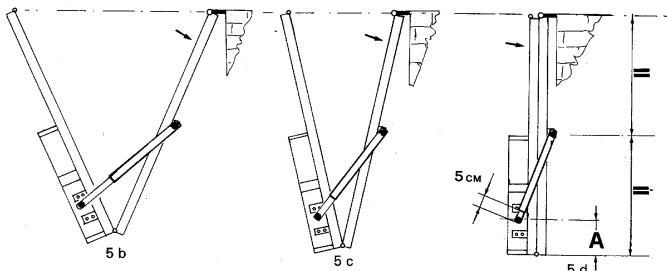


Fig. 4



5 a



5 b

5 c

5 d

Fig. 5

Electrical connections (fig. 6)

WARNING: earth the installation as required by local regulations.

1. FAAC model 560 hydraulic operator
2. electronic control box
3. main switch
4. 6A fuse
5. junction box
6. FAAC inside push-button
7. FAAC model T10 or T11 key-switch and/or FAAC METAL DIGICARD card reader and/or FAAC METAL DIGIKEY combination keyboard (all of which can also be mounted on a post).
8. FAAC radio-control receiver (3x1.5) and flashing lamp (FAAC LAMP 2x1.5, BILAMP 6x1.5, MULTILAMP 4x1.5)
9. Optional electric lock (only for SB models)

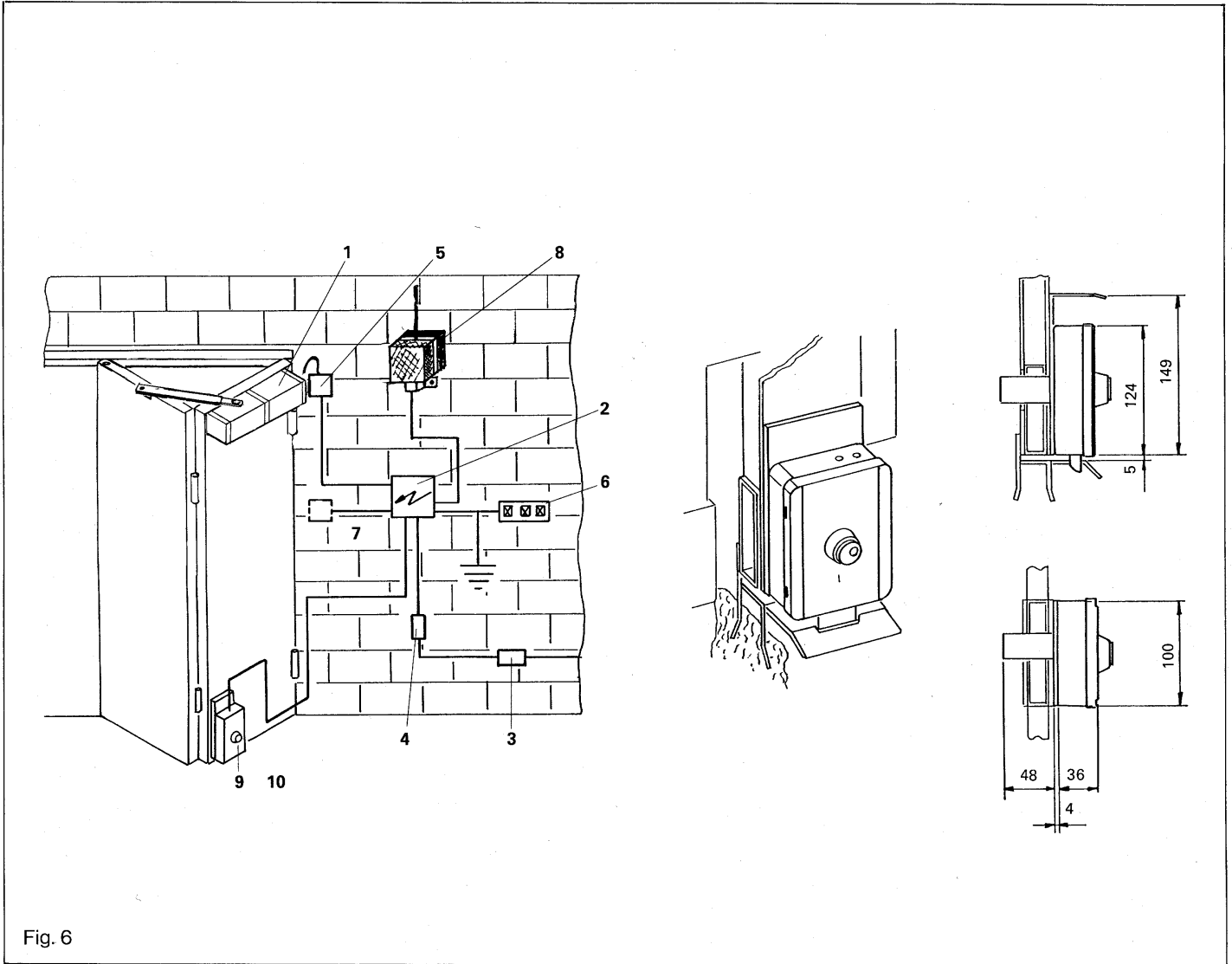


Fig. 6

The number and cross-section area of the electric conductors are indicated in the illustration; the cross-section areas must be suitably increased for lengths in excess of 100 metres.

Earth the installation.

Keep the control cables separate from the power cables.

The installation should be effected according to local regulation.

It is advisable to install a pair of FAAC Fotoswitch photo-cells, to be mounted inside on the doorposts, and/or a pneumatic safety edge to be mounted along the edge of the door. For the first case, install 4x1.5 diameter cables for the receiver and 2x1.5 diameter cables for the projector; for the second case install the pressure switch and air connection pipe, together with 2x1.5 diameter cables.

For the connection of an electric lock (if any), use 2x1.5 diameter cables.

For the connection and installation diagrams of the electronic control box, signalling devices, safety and warning light accessories, and electric lock, refer to the specific instruction leaflets.

VSS LIMITED

Sales@vssystem.co.uk

0800 018 2324